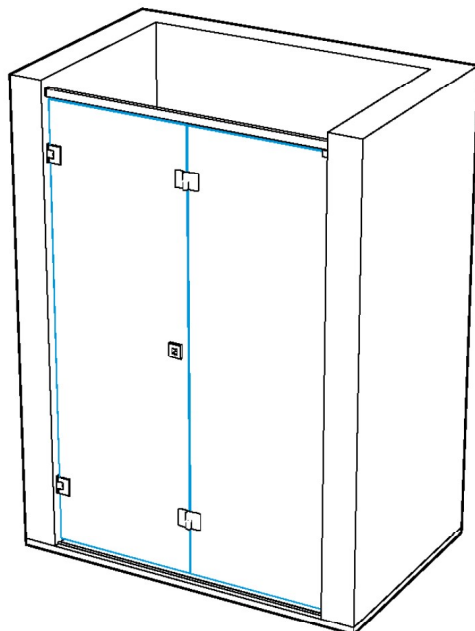


PLK01-DX/PLK01-SX

**Consigliato
 Recommended**

BDHA01



**Compreso
 Included**

PBFR01



1500 mm

PBF01



x 1

CQR02



x 2

SH09F



x 2

PBF04



x 2

IPD02



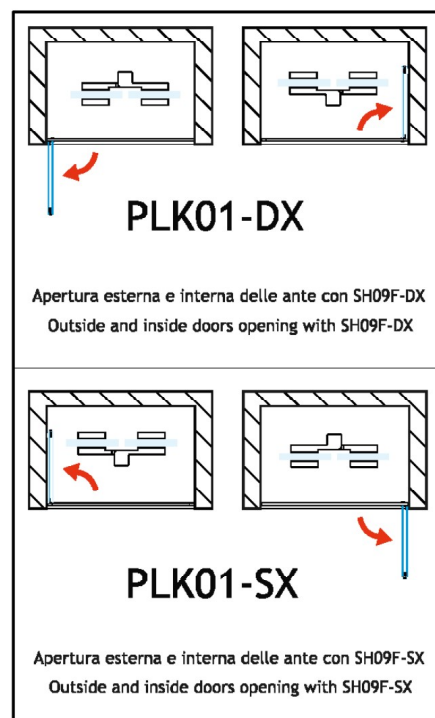
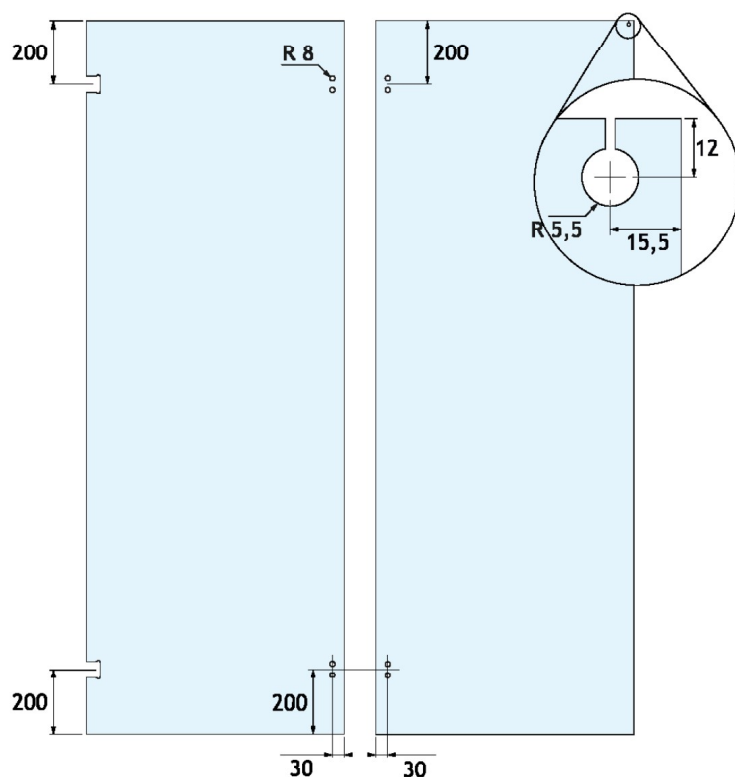
1500 mm

PBFG01



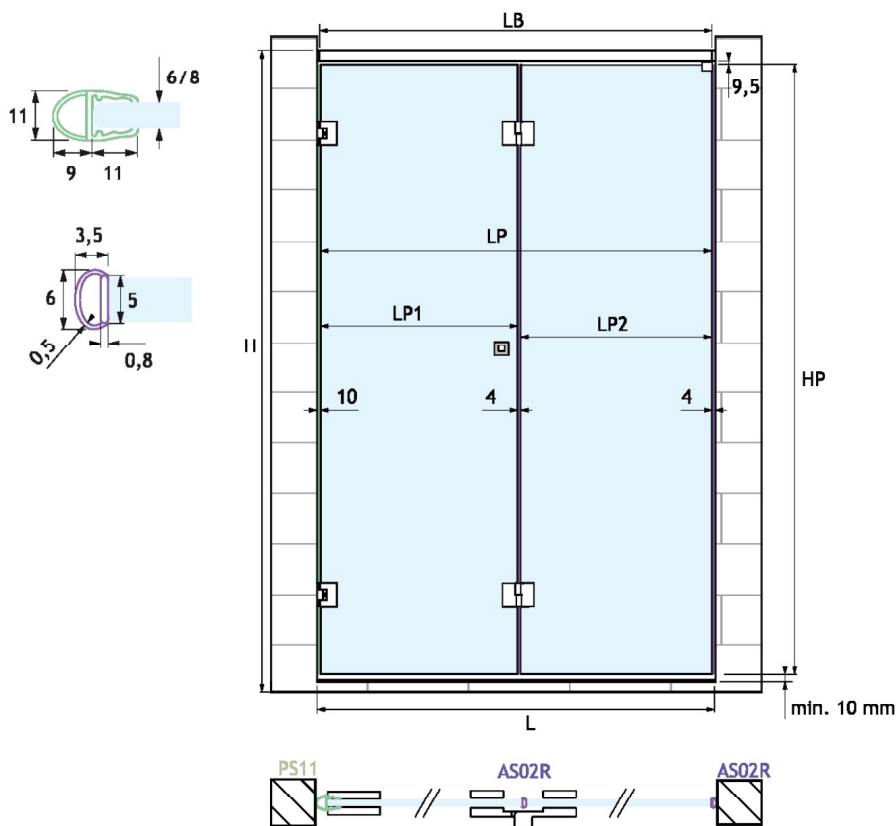
x 1

PLK01



PLK01

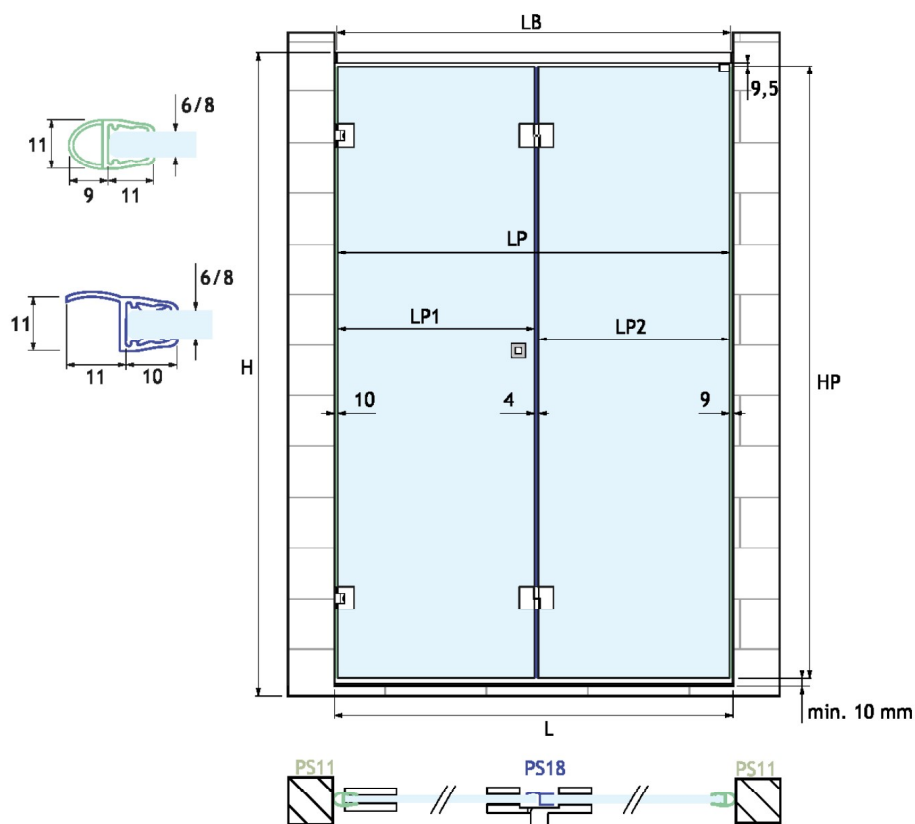
CON GUARNIZIONI PS11 E AS02R / WITH PS11 & AS02R SERIES SEALS



DIMENSIONAMENTO DELLA PORTA E DEL BINARIO CON AS02R
GLASS AND TRACK SIZING WITH AS02R
LP = L - 14 mm
LP1 = LP/2 - 7 mm
LP2 = LP/2 + 3 mm
HP = H - 50,5 mm
LB = L - 15 mm

PLK01

CON GUARNIZIONI SERIE PS / WITH PS SERIES SEALS



DIMENSIONAMENTO DELLA PORTA E DEL BINARIO CON PS11
GLASS AND TRACK SIZING WITH PS11
$LP = L - 19 \text{ mm}$
$LP1 = LP/2 - 7 \text{ mm}$
$LP2 = LP/2 + 3 \text{ mm}$
$HP = H - 50,5 \text{ mm}$
$LB = L - 15 \text{ mm}$